

Common Troubleshooting Tips

Problem:	Outlets in the kitchen or bathroom are not working.
Solution:	The GFCI device may be tripped. Two GFCI devices protect the kitchen. All of the bathroom outlets in the home are protected by one GFCI device. To check these devices, locate the device and make sure the “reset” button is pushed in.

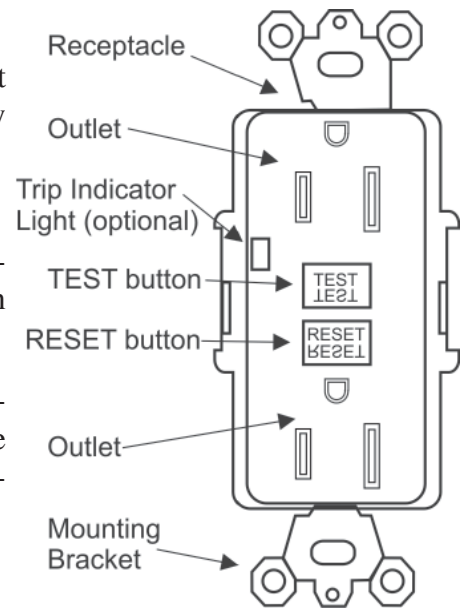
What is GFCI?

A GFCI receptacle is different from conventional receptacles. In the event of a ground fault, a GFCI will trip and quickly stop the flow of electricity to prevent serious injury.

Definition of a ground fault:

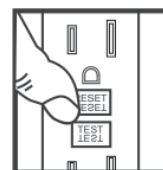
Instead of following its normal safe path, electricity passes through a person's body to reach the ground. For example a defective appliance can cause a ground fault.

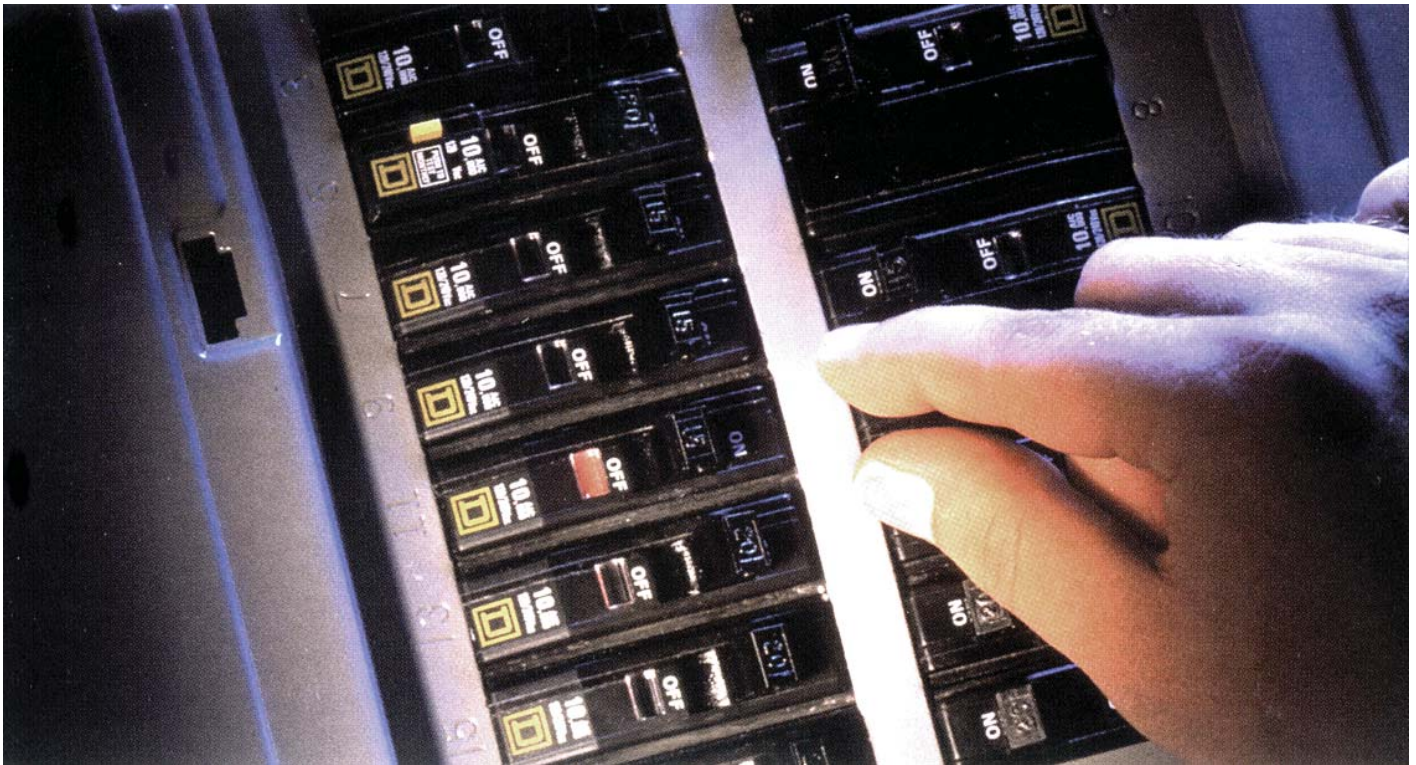
A GFCI receptacle does *not* protect against circuit malfunctions. For example, you can still have overloads, short circuits or shocks. You may be shocked if you touch bare wires while standing on a non-conducting surface such as a wood floor.



Testing Your GFCI.

1. Turn the power ON at the service panel. Press the RESET button fully. The RESET button should stay in. If the RESET button does not stay in, go to troubleshooting. If the RESET button stays in, plug a lamp or a radio into the GFCI (and leave it plugged in) to verify that the power is ON. If there is no power, go to troubleshooting.
2. Press the TEST button in order to trip the device. This should stop the flow of electricity, making the lamp or radio shut OFF and the GFCI's red Trip Indicator Light (if present) come on. **Note: The RESET button will pop out.** If the power stays ON, go to troubleshooting. If the power goes OFF, you have installed the GFCI receptacle correctly. To restore power, press the RESET button.
3. Press the TEST button (then the RESET button) every month to assure proper operation.





Visi-Trip®

The exclusive Visi-Trip indicator provides clear and instant identification of a tripped circuit breaker. The highly visible indicator helps prevent unnecessary service calls and reduces the chance that other circuits will be turned off accidentally.

Problem:	Bedroom outlets and/or lights are not or have stopped working.
Solution:	The Arc Fault breaker may be tripped. To check this, you must go to the main electrical panel. Check and see if one of the AFCI breakers has been tripped. To reset the breaker, turn it all the way to the OFF position. Then turn the breaker back to the ON position. If this does not correct the problem, you will need to call Wade Electric Inc.